

**WARNER GEAR T56 6 SPEED: AXLE MOUNT  
CORVETTE: 1997-2004**

**COMPLETE ASSEMBLIES**

2.66/1.78/1.30/1.00/0.74/0.50 (MM6)	(1997- )	1255 1758	13-86-000-015*
2.66/1.78/1.30/1.00/0.74/0.50			TUET 1452
<i>NOTE: Case not tapped for temperature sensor. North American markets.</i>			
2.66/1.78/1.30/1.00/0.74/0.50 (MM6)	(1999- )	1256 0446	13-86-000-019*
2.66/1.78/1.30/1.00/0.74/0.50			TUET 1453
<i>NOTE: Case tapped for temperature sensor. Export markets.</i>			
2.97/2.07/1.43/1.00/0.84/0.56 (M12)	(2002- )	1256 1852	13-86-000-025
<i>NOTE: Used w/ LS6 engine.</i>			

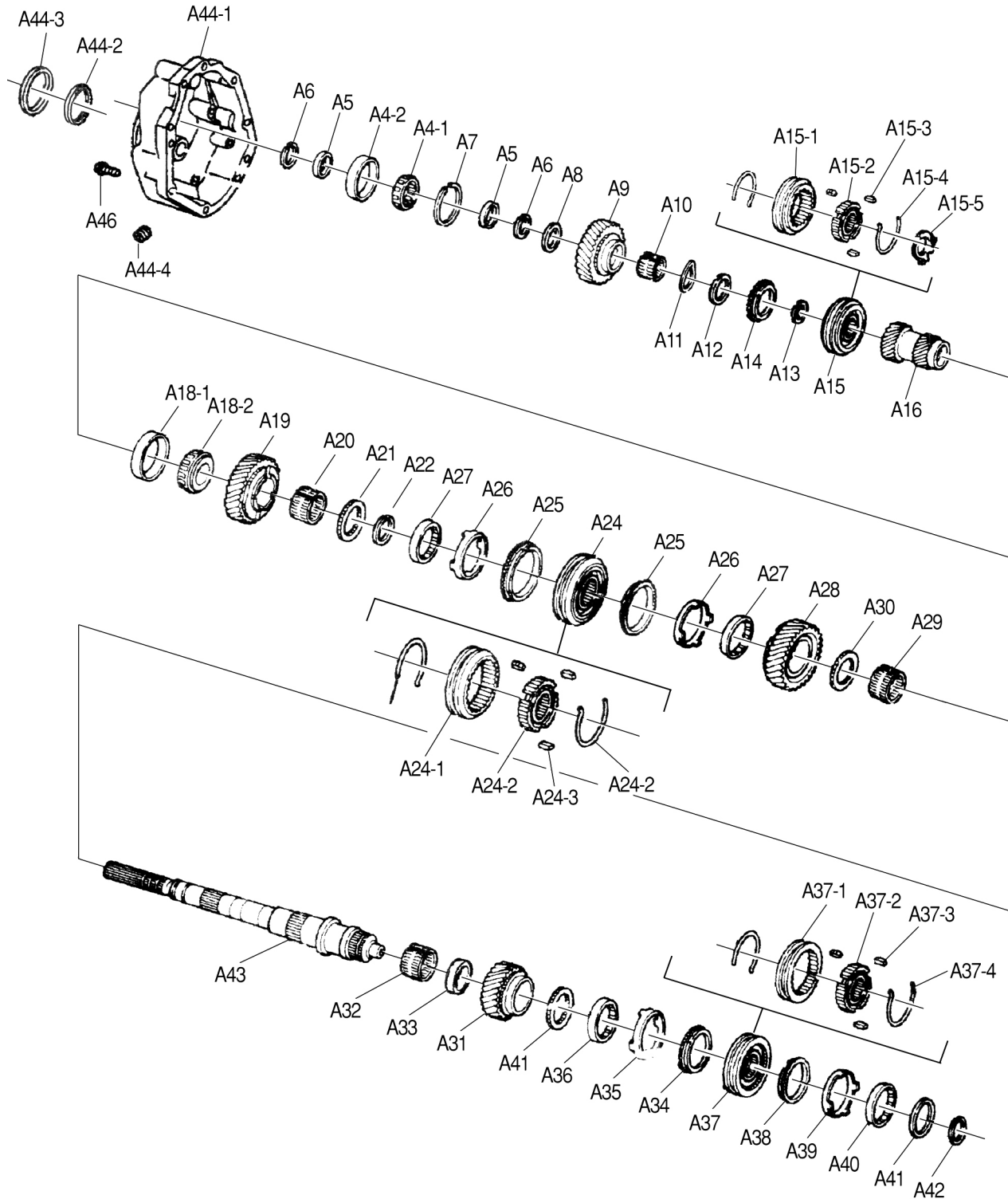
**SERVICE KITS**

<b>K1 OVERHAUL KIT</b>			
ALL		NSS	OH56A
<b>K1-1 BEARING/OILSEAL KIT</b>			
ALL		NSS	BK56A
<i>NOTE: Tapered bearings and oilseals for ONE (1) transmission.</i>			
<b>K1-2 SHIM KIT</b>			
ALL		NSS	SH56
<i>NOTE: Tapered bearing shims for ONE (1) transmission.</i>			
<b>K1-3 SYNCHRONIZER KIT</b>			
ALL		NSS	YN56A
<i>NOTE: Synchronizer rings, struts, springs and pads for ONE (1) transmission.</i>			
<b>K1-4 SMALL PARTS KIT</b>			
ALL		NSS	SP56A
<i>NOTE: Needle bearings, washers and snaprings for ONE (1) transmission.</i>			

**GROUP A: MAINSHAFT AND FINAL DRIVE ADAPTER**

<b>A4 MAINSHAFT EXTENSION BEARING ASSY</b>			
AC-DELCO #S1314		1252 3057	13-86-134-001
<b>A4-1 ROLLER BEARING</b>			
ALL		NSS	NSS
<b>A4-2 OUTER RACE</b>			
ALL		NSS	NSS
<b>A5 MAINSHAFT EXTENSION BEARING WASHER</b>			
NYLON REQ. 2		1245 5040	13-86-193-009
<b>A6 MAINSHAFT EXTENSION BEARING/SHAFT SNAPRING</b>			
ALL REQ. 2		1252 3253	13-86-139-001
<b>A7 MAINSHAFT EXTENSION BEARING/EXTENSION SNAPRING</b>			
ALL		1252 3058	13-86-139-005
<b>A8 MAINSHAFT REVERSE GEAR THRUST WASHER (REAR)</b>			
ALL		1252 3053	13-86-193-004

**WARNER GEAR T56 6 SPEED: AXLE MOUNT**  
**CORVETTE: 1997-2004**



## WARNER GEAR T56 6 SPEED: AXLE MOUNT CORVETTE: 1997-2004

A9	MAINSHAFT REVERSE GEAR R35-S33T		1252 3052	13-86-088-003
A10	MAINSHAFT REVERSE GEAR BEARING ALL		1252 3050	13-86-132-003
A11	MAINSHAFT REVERSE GEAR WAVE SPRING ALL		1252 3048	13-86-156-005
A12	MAINSHAFT REVERSE GEAR THRUST WASHER (FRONT) ALL		1252 3047	13-86-193-005
A13	MAINSHAFT REVERSE SYNCHRONIZER SNAPRING ALL		1252 3253	13-86-139-001
A14	MAINSHAFT REVERSE SYNCHRONIZER RING S33T BRONZE		1252 3049	13-86-091-007
A15	MAINSHAFT REVERSE SYNCHRONIZER ASSY ALL		1252 3043	13-86-590-004
A15-1	CLUTCH ALL		NSS	NSS
A15-2	HUB ALL		NSS	NSS
A15-3	STRUT ALL	REQ. 3	1408 3521	13-51-093-001
A15-4	SPRING ALL	REQ. 2	1252 3251	13-86-156-002
A15-5	STRUT RETAINER ALL		1252 3044	13-86-040-002
A16	MAINSHAFT 5 <sup>TH</sup> /6 <sup>TH</sup> GEAR CLUSTER L37-29-S28T		1252 3042	13-86-070-002
A17	MAINSHAFT 5 <sup>TH</sup> /6 <sup>TH</sup> GEAR O-RING ALL			13-00-141-028
A18	MAINSHAFT BEARING ASSY TIMKEN #25520-25572		1252 3286	25520-72
A18-1	MAINSHAFT BEARING CUP TIMKEN #25520		NSS	25520
A18-2	MAINSHAFT BEARING CONE TIMKEN #25572		NSS	25572
A19	MAINSHAFT 1 <sup>ST</sup> GEAR L39-S32(42)T: 2.66 LOW L43-S32(42)T: 2.97 LOW		1245 5013 8889 4089	13-86-081-008 TUEN 1122
A20	MAINSHAFT 1 <sup>ST</sup> GEAR BEARING ALL		1252 3188	13-86-132-002
A21	MAINSHAFT 1 <sup>ST</sup> GEAR BEARING SPACER ALL		1245 5012	13-86-053-005

## WARNER GEAR T56 6 SPEED: AXLE MOUNT CORVETTE: 1997-2004

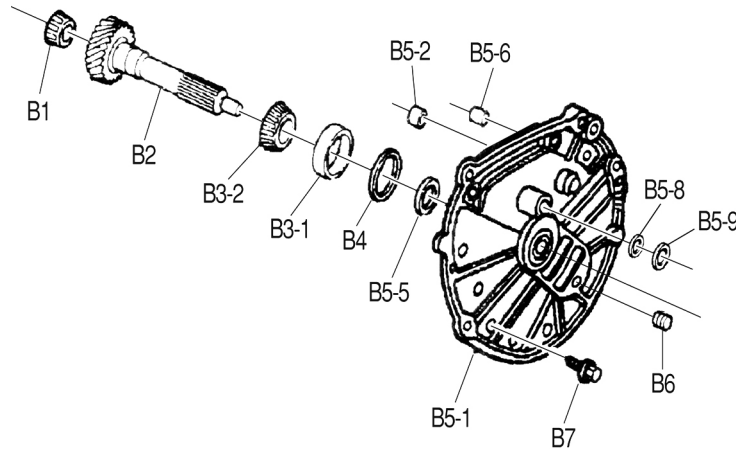
A22	MAINSHAFT 1 <sup>ST</sup> /2 <sup>ND</sup> SYNCHRONIZER SNAPRING ALL		1252 3187	13-00-139-015
A24	MAINSHAFT 1 <sup>ST</sup> /2 <sup>ND</sup> SYNCHRONIZER ASSY ALL		1245 5006	13-86-590-008
A24-1	CLUTCH ALL		NSS	NSS
A24-2	HUB ALL		NSS	NSS
A24-3	STRUT ALL	REQ. 3	1245 5007	13-86-093-002
A24-4	SPRING ALL	REQ. 2	1245 5008	13-86-156-013
A25	MAINSHAFT 1 <sup>ST</sup> /2 <sup>ND</sup> SYNCHRONIZER RING (OUTER) S42T STEEL	REQ. 2	1245 5009	13-86-091-008
A26	MAINSHAFT 1 <sup>ST</sup> /2 <sup>ND</sup> SYNCHRONIZER RING (CENTER) 4 TANGS LINED	REQ. 2	8889 4073	TUAS 1127
A27	MAINSHAFT 1 <sup>ST</sup> /2 <sup>ND</sup> SYNCHRONIZER RING (INNER) 3 TANGS LINED	REQ. 2	8889 4072	TUAS 1128
A28	MAINSHAFT 2 <sup>ND</sup> GEAR L43-S32(42)T: 2.66 LOW L41-S32(42)T: 2.97 LOW		1245 5004 8889 4088	13-86-082-006 TUEN 1123
A29	MAINSHAFT 2 <sup>ND</sup> GEAR BEARING ALL		1252 3073	13-00-132-009
A30	MAINSHAFT 2 <sup>ND</sup> GEAR BEARING SPACER ALL		1245 5005	13-86-053-006
A31	MAINSHAFT 3 <sup>RD</sup> GEAR L37-S28(36)T: 2.66 LOW L37-S28(36)T: 2.97 LOW		8889 4114 8889 4087	13-86-083-008 TUEN 1124
A32	MAINSHAFT 3 <sup>RD</sup> GEAR BEARING ALL		1252 3073	13-00-132-009
A33	MAINSHAFT 3 <sup>RD</sup> GEAR BEARING WASHER ALL		1245 5005	13-86-193-010
A34	MAINSHAFT 3 <sup>RD</sup> SYNCHRONIZER RING (OUTER) S30(36)T STEEL (LARGE CONE)		1245 5000	13-86-091-009
A35	MAINSHAFT 3 <sup>RD</sup> SYNCHRONIZER RING (CENTER) 4 TANGS LINED (LARGE CONE)		8889 4069	TUAS 1129
A36	MAINSHAFT 3 <sup>RD</sup> SYNCHRONIZER RING (INNER) S15T STEEL (LARGE CONE)		1245 4999	13-86-025-002
A37	MAINSHAFT 3 <sup>RD</sup> /4 <sup>TH</sup> SYNCHRONIZER ASSY ALL		1245 5002	13-86-590-006

## WARNER GEAR T56 6 SPEED: AXLE MOUNT CORVETTE: 1997-2004

A37-1	CLUTCH ALL		NSS	NSS
A37-2	HUB ALL		NSS	NSS
A37-3	STRUT ALL	REQ. 3	1408 3521	13-51-093-001
A37-4	SPRING ALL	REQ. 2	1252 3185	13-86-156-003
A38	MAINSHAFT 4 <sup>TH</sup> SYNCHRONIZER RING (OUTER) S36T STEEL (SMALL CONE)		1245 5018	13-86-091-011
A39	MAINSHAFT 4 <sup>TH</sup> SYNCHRONIZER RING (CENTER) 4 TANGS LINED (SMALL CONE)		8889 4070	TUAS 1126
A40	MAINSHAFT 4 <sup>TH</sup> SYNCHRONIZER RING (INNER) S15T STEEL (SMALL CONE)		1245 5017	13-86-025-003
A41	MAINSHAFT 3 <sup>RD</sup> /4 <sup>TH</sup> SYNCHRONIZER WASHER S15-28T: 0.260" THICK	REQ. 2	1245 5003	13-86-193-011
A42	MAINSHAFT 3 <sup>RD</sup> /4 <sup>TH</sup> SYNCHRONIZER SNAPRING ALL		1252 3253	13-86-139-001
A43	MAINSHAFT ALL		1245 4996	13-86-171-007
A44	FINAL DRIVE ADAPTER (EXTENSION) ASSY #13-86-566-009		1245 5042	13-86-566-019
A44-1	FINAL DRIVE ADAPTER ALL		NSS	NSS
A44-2	MAINSHAFT OILSEAL (INNER) ALL		1245 5044	13-00-044-022
A44-3	MAINSHAFT OILSEAL (OUTER) ALL		1245 5045	13-00-044-024
A44-4	DRAIN PLUG ALL		1252 3308	13-00-052-007
A44-5	STUD ALL		1245 5043	13-86-146-003
A46	FINAL DRIVE ADAPTER FASTENERS M6 X 13	REQ. 2	1245 8099	
	M10 X 1.50 X 40 HHCS	REQ. 8	1252 3235	13-86-183-001

**WARNER GEAR T56 6 SPEED: AXLE MOUNT  
CORVETTE: 1997-2004**

**GROUP B: MAINDRIVE AND FRONT COVER**



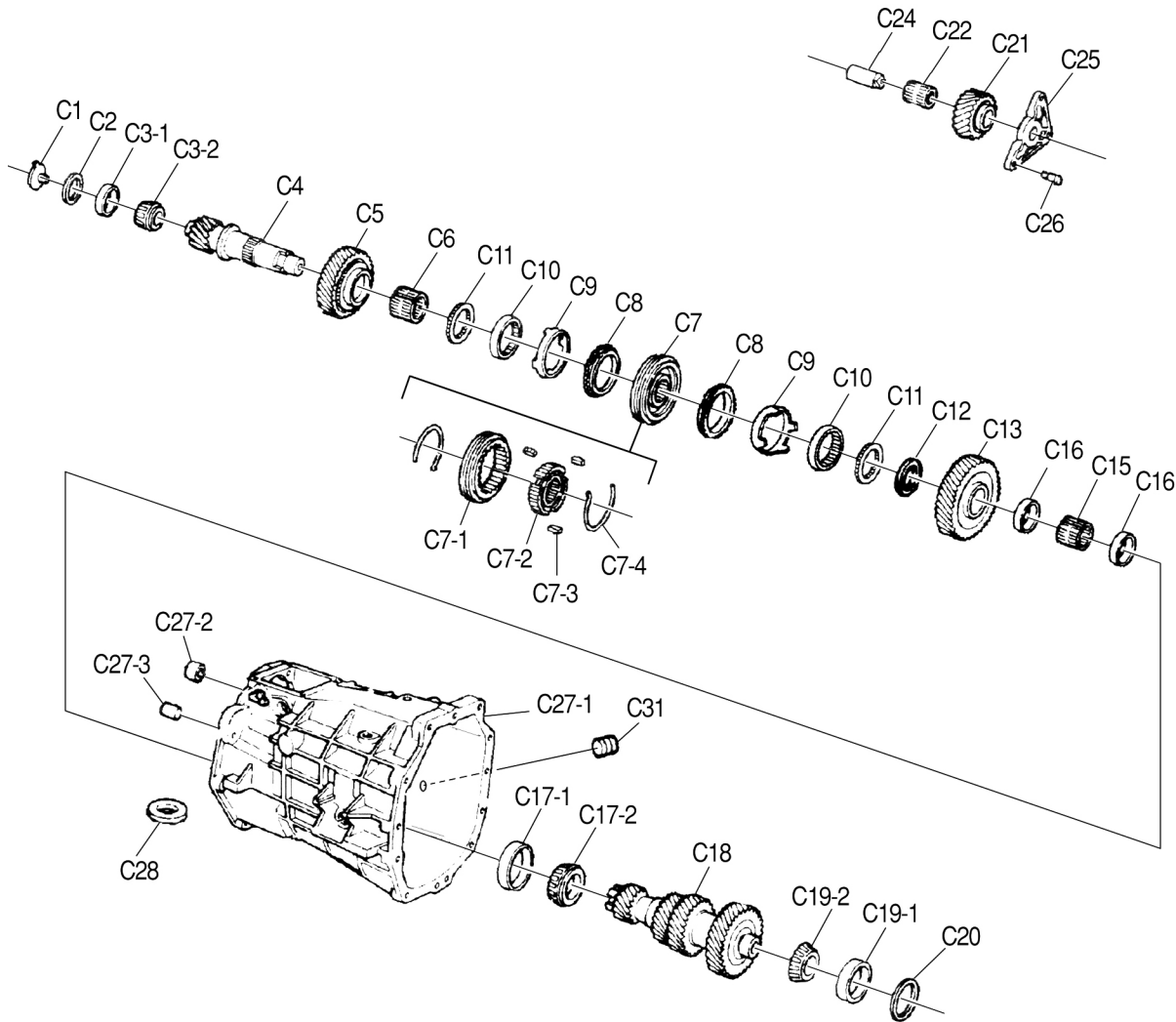
<b>B1</b>	<b>MAINSHAFT PILOT BEARING CONE</b> TIMKEN #LM12749		<b>8889 4093</b>	<b>13-86-133-004</b>
<b>B2</b>	<b>MAINDRIVE GEAR ASSY</b> L31-S28(36)T: 2.66 LOW L29-S28(36)T: 2.97 LOW		<b>8889 4115</b> <b>8889 4050</b>	<b>13-86-585-009</b> <b>TUEF 1218</b>
<b>B2-1</b>	<b>MAINDRIVE GEAR</b> ALL		<b>NSS</b>	<b>NSS</b>
<b>B2-2</b>	<b>MAINSHAFT PILOT BEARING CUP</b> TIMKEN #LM12711		<b>8889 4092</b>	<b>13-86-133-003</b>
<b>B3</b>	<b>MAINDRIVE BEARING ASSY</b> TIMKEN #M88010-M88048		<b>1252 3289</b>	<b>M88010-48</b>
<b>B3-1</b>	<b>MAINDRIVE BEARING CUP</b> TIMKEN #M88010		<b>NSS</b>	<b>M88010</b>
<b>B3-2</b>	<b>MAINDRIVE BEARING CONE</b> TIMKEN #M88048		<b>NSS</b>	<b>M88048</b>
<b>B4</b>	<b>MAINDRIVE BEARING SHIMS</b>			
	.022	AS REQ.	1252 3218	13-86-037-005
	.023	AS REQ.		13-86-037-033
	.024	AS REQ.	1252 3219	13-86-037-006
	.025	AS REQ.		13-86-037-034
	.026	AS REQ.	1252 3220	13-86-037-007
	.027	AS REQ.		13-86-037-035
	.028	AS REQ.	1252 3221	13-86-037-008
	.029	AS REQ.		13-86-037-036
	.030	AS REQ.	1252 3222	13-86-037-009
	.031	AS REQ.		13-86-037-037
	.032	AS REQ.	1252 3223	13-86-037-010
	.033	AS REQ.		13-86-037-011
	.034	AS REQ.	1252 3224	13-86-037-012
	.035	AS REQ.		13-86-037-013
	.036	AS REQ.	1252 3225	13-86-037-014

**WARNER GEAR T56 6 SPEED: AXLE MOUNT  
CORVETTE: 1997-2004**

	.037	AS REQ.		13-86-037-015
	.038	AS REQ.	1252 3226	13-86-037-016
	.039	AS REQ.		13-86-037-017
	.040	AS REQ.	1252 3227	13-86-037-018
	.041	AS REQ.		13-86-037-019
	.042	AS REQ.	1252 3228	13-86-037-020
	.043	AS REQ.		13-86-037-021
	.044	AS REQ.	1252 3229	13-86-037-022
	.045	AS REQ.		13-86-037-023
	.046	AS REQ.	1252 3230	13-86-037-024
	.047	AS REQ.		13-86-037-025
	.048	AS REQ.	1252 3231	13-86-037-026
	.049	AS REQ.		13-86-037-027
	.050	AS REQ.	1252 3232	13-86-037-028
	.051	AS REQ.		13-86-037-029
	.052	AS REQ.		13-86-037-030
	.053	AS REQ.		13-86-037-031
	.054	AS REQ.		13-86-037-032
<b>B5</b>	<b>FRONT COVER ASSY</b>			
	#13-86-172-907		1245 5019	13-86-672-007
<b>B5-1</b>	<b>FRONT COVER</b>			
	ALL		NSS	NSS
<b>B5-2</b>	<b>SHIFT RAIL BUSHING</b>			
	ALL		1252 3001	13-86-127-001
<b>B5-5</b>	<b>MAINDRIVE OILSEAL</b>			
	CHICAGO RAWHIDE #12363		1563 5337	13-00-044-015
<b>B5-6</b>	<b>COVER/CASE DOWEL PIN</b>			
	ALL	REQ. 2	1252 3068	141199
<b>B5-8</b>	<b>SELECTOR RAIL OILSEAL (INNER)</b>			
	ALL		1245 5028	13-00-044-021
<b>B5-9</b>	<b>SELECTOR RAIL OILSEAL (OUTER)</b>			
	ALL		1245 5027	13-86-044-001
<b>B6</b>	<b>FRONT COVER INSPECTION PLUG</b>			
	ALL		1252 3306	13-00-052-007
<b>B7</b>	<b>FRONT COVER FASTENERS</b>			
	ALL	REQ. 11	1252 3235	13-86-183-001

**WARNER GEAR T56 6 SPEED: AXLE MOUNT**  
**CORVETTE: 1997-2004**

**GROUP C: COUNTERSHAFTS AND CASE**



<b>C1</b>	<b>COUNTERSHAFT EXTENSION OIL FUNNEL</b>		
	ALL	1252 3275	13-86-034-002
<b>C2</b>	<b>COUNTERSHAFT EXTENSION BEARING SHIMS</b>		
	.022	AS REQ.	1252 3259
	.023	AS REQ.	13-86-037-106
	.024	AS REQ.	13-86-037-107
	.025	AS REQ.	1252 3260
	.026	AS REQ.	13-86-037-108
	.027	AS REQ.	13-86-037-109
	.028	AS REQ.	1252 3261
	.029	AS REQ.	13-86-037-110
			1252 3262
			13-86-037-111
			13-86-037-112
			13-86-037-113

**WARNER GEAR T56 6 SPEED: AXLE MOUNT**  
**CORVETTE: 1997-2004**

.030	AS REQ.	1252 3263	13-86-037-114
.031	AS REQ.		13-86-037-115
.032	AS REQ.	1252 3264	13-86-037-116
.033	AS REQ.		13-86-037-117
.034	AS REQ.	1252 3265	13-86-037-118
.035	AS REQ.		13-86-037-119
.036	AS REQ.	1252 3266	13-86-037-120
.037	AS REQ.		13-86-037-121
.038	AS REQ.	1252 3267	13-86-037-122
.039	AS REQ.		13-86-037-123
.040	AS REQ.	1252 3268	13-86-037-124
.041	AS REQ.		13-86-037-125
.042	AS REQ.	1252 3269	13-86-037-126
.043	AS REQ.		13-86-037-127
.044	AS REQ.	1252 3270	13-86-037-128
.045	AS REQ.		13-86-037-129
.046	AS REQ.	1252 3271	13-86-037-130
.047	AS REQ.		13-86-037-131
.048	AS REQ.	1252 3272	13-86-037-132
.049	AS REQ.		13-86-037-133
.050	AS REQ.	1252 3273	13-86-037-134
.051	AS REQ.		13-86-037-135
.052	AS REQ.		13-86-037-136
.053	AS REQ.		13-86-037-137
.054	AS REQ.		13-86-037-138
<b>C3</b>	<b>COUNTERSHAFT EXTENSION BEARING ASSY</b>		
	TIMKEN #LM12711-LM12749	1252 3059	
<b>C3-1</b>	<b>COUNTERSHAFT EXTENSION BEARING CUP</b>		
	TIMKEN #LM12711	8889 4092	13-86-133-003
<b>C3-2</b>	<b>COUNTERSHAFT EXTENSION BEARING CONE</b>		
	TIMKEN #LM12749	8889 4093	13-86-133-004
<b>C4</b>	<b>COUNTERSHAFT EXTENSION SHAFT</b>		
	R14-S28-6T	NSS	13-86-077-009
	<i>NOTE: GM services this only in the Countershaft Extension and Cluster Gear Kit. Refer to Item C17.</i>		
<b>C5</b>	<b>COUNTERSHAFT 5<sup>TH</sup> GEAR</b>		
	R58-S22(33)T	1245 5034	13-86-086-005
<b>C6</b>	<b>COUNTERSHAFT 5<sup>TH</sup> GEAR BEARING</b>		
	ALL	1252 3247	10-00-132-046
<b>C7</b>	<b>COUNTERSHAFT 5<sup>TH</sup>/6<sup>TH</sup> SYNCHRONIZER ASSY</b>		
	ALL	1245 5035	13-86-590-007
<b>C7-1</b>	<b>CLUTCH</b>		
	ALL	NSS	NSS
<b>C7-2</b>	<b>HUB</b>		
	ALL	NSS	NSS
<b>C7-3</b>	<b>STRUT</b>		
	ALL	REQ. 3	1408 3521
<b>C7-4</b>	<b>SPRING</b>		
	ALL	REQ. 2	1252 3251

## WARNER GEAR T56 6 SPEED: AXLE MOUNT CORVETTE: 1997-2004

C8	COUNTERSHAFT 5 <sup>TH</sup> /6 <sup>TH</sup> SYNCHRONIZER RING (OUTER) S27(33)T STEEL	REQ. 2	1245 5036	13-86-091-010
C9	COUNTERSHAFT 5 <sup>TH</sup> /6 <sup>TH</sup> SYNCHRONIZER RING (CENTER) 4 TANGS LINED	REQ. 2	8889 4070	TUAS 1126
C10	COUNTERSHAFT 5 <sup>TH</sup> /6 <sup>TH</sup> SYNCHRONIZER RING (INNER) S15T STEEL	REQ. 2	1245 5017	13-86-025-003
C11	COUNTERSHAFT 5 <sup>TH</sup> /6 <sup>TH</sup> SYNCHRONIZER WASHER S15-28T: 0.185" THICK	REQ. 2	1245 5039	13-86-193-012
C12	COUNTERSHAFT 5 <sup>TH</sup> /6 <sup>TH</sup> SYNCHRONIZER SNAPRING ALL		1252 3253	13-86-139-001
C13	COUNTERSHAFT 6 <sup>TH</sup> GEAR R67-S22(33)T		1245 5041	13-86-087-005
C15	COUNTERSHAFT 6 <sup>TH</sup> GEAR BEARING ALL		1252 3255	13-86-132-005
C16	COUNTERSHAFT 6 <sup>TH</sup> GEAR BEARING SPACER 0.035" THICK: MM6	REQ. 2	1245 5040	13-86-053-007
	0.235" THICK: M12	REQ. 2	1252 3056	13-86-193-006
C17	COUNTERSHAFT REAR BEARING ASSY TIMKEN #			
	ALL		8889 4091	
C17-1	COUNTERSHAFT REAR BEARING CUP TIMKEN #			
C17-2	COUNTERSHAFT REAR BEARING CONE TIMKEN #			
C18	COUNTERSHAFT CLUSTER GEAR R36-33-28-17T: 2.66 LOW		NSS	13-86-077-008
	<i>NOTE: For service use Countershaft Extension and Cluster Gear Kit TNKT 1661, GMC #8899 6608.</i>			
	R38-34-26-19T: 2.97 LOW		NSS	13-86-077-006
	<i>NOTE: For service use Countershaft Extension and Cluster Gear Kit TNKT 1781, GMC #8899 6616.</i>			
C19	COUNTERSHAFT FRONT BEARING ASSY TIMKEN #LM48510-LM48548			
	ALL		8889 4090	
C19-1	COUNTERSHAFT FRONT BEARING CUP TIMKEN #LM48510			
C19-2	COUNTERSHAFT FRONT BEARING CONE TIMKEN #LM48548			
C20	COUNTERSHAFT FRONT BEARING SHIMS .012	AS REQ.	1405 0783	13-51-037-004
	.014	AS REQ.	1405 0780	13-51-037-001
	.016	AS REQ.	1405 0781	13-51-037-002
	.018	AS REQ.	1405 0782	13-51-037-003
	.020	AS REQ.	1405 0784	13-51-037-005
	.022	AS REQ.	1405 0786	13-51-037-007

## WARNER GEAR T56 6 SPEED: AXLE MOUNT CORVETTE: 1997-2004

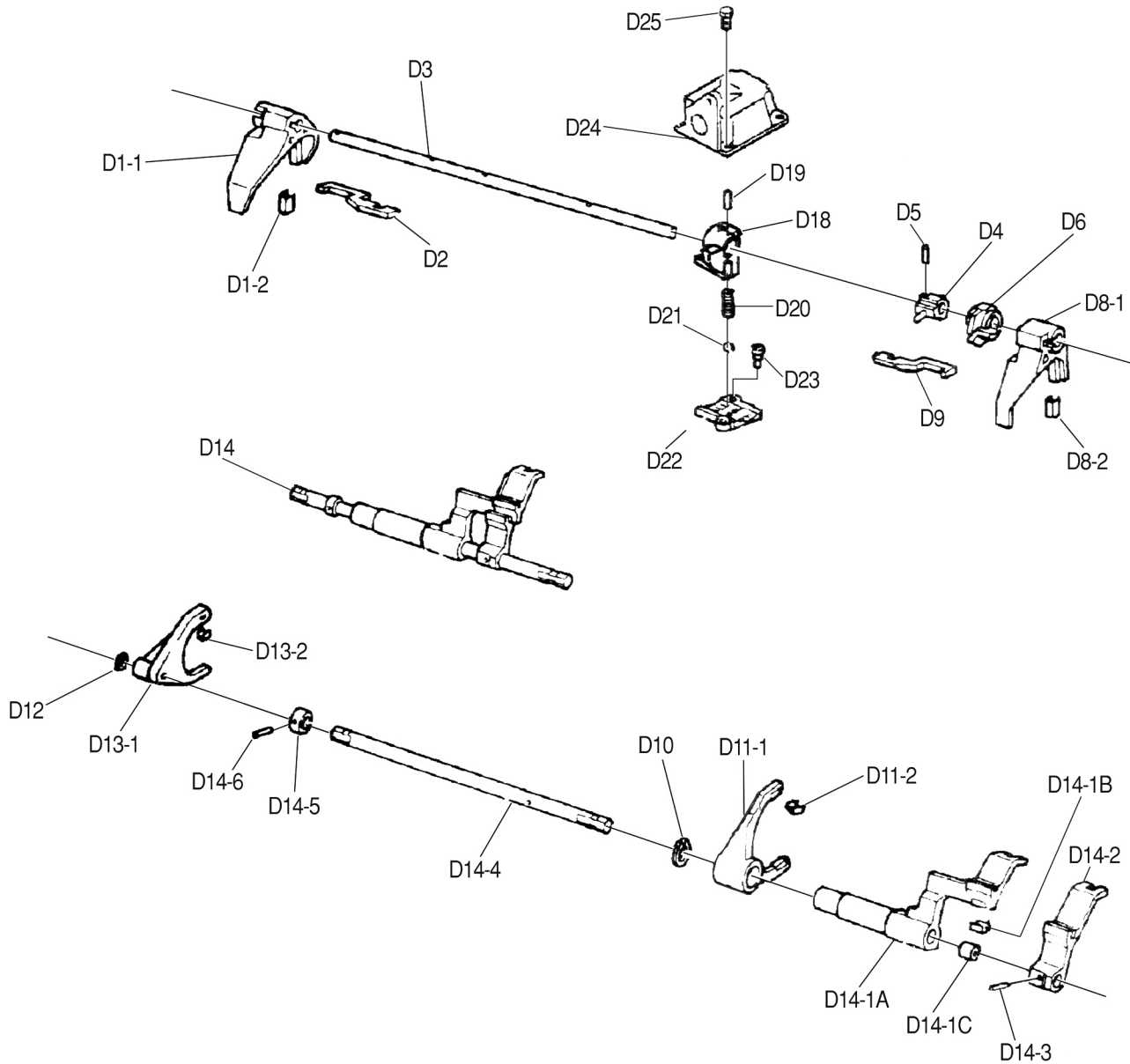
.023	AS REQ.	1405 0787	13-51-037-008
.024	AS REQ.	1406 9868	13-51-037-009
.025	AS REQ.	1406 9869	13-51-037-010
.026	AS REQ.	1406 9870	13-51-037-011
.027	AS REQ.	1406 9871	13-51-037-012
.028	AS REQ.	1406 9872	13-51-037-013
.029	AS REQ.	1406 9873	13-51-037-014
.030	AS REQ.	1406 9874	13-51-037-015
.031	AS REQ.	1406 9875	13-51-037-016
.032	AS REQ.	1406 9876	13-51-037-017
.033	AS REQ.	1406 9877	13-51-037-018
.034	AS REQ.	1406 9878	13-51-037-019
.035	AS REQ.	1406 9879	13-51-037-020
.036	AS REQ.	1405 0785	13-51-037-006
.037	AS REQ.	1406 9880	13-51-037-021
.038	AS REQ.	1406 9881	13-51-037-022
.039	AS REQ.	1406 9882	13-51-037-023
.040	AS REQ.	1406 9883	13-51-037-024
.041	AS REQ.	1406 9884	13-51-037-025
.042	AS REQ.	1406 9885	13-51-037-026
.043	AS REQ.	1406 9886	13-51-037-027
.044	AS REQ.	1406 9887	13-51-037-028
.045	AS REQ.		13-51-037-029
.046	AS REQ.		13-51-037-030
.047	AS REQ.		13-51-037-031
.048	AS REQ.		13-51-037-032
.049	AS REQ.		13-51-037-033
.050	AS REQ.		13-51-037-034
.051	AS REQ.		13-51-037-035
.052	AS REQ.		13-51-037-036
.053	AS REQ.		13-51-037-037
.054	AS REQ.		13-51-037-038
<b>C21</b>	<b>IDLER GEAR L23T</b>	<b>1252 3283</b>	<b>13-86-084-001</b>
<b>C22</b>	<b>IDLER GEAR BEARING ALL</b>	<b>1252 3284</b>	<b>13-86-132-006</b>
<b>C24</b>	<b>IDLER SHAFT ALL</b>	<b>1236 9469</b>	<b>13-86-068-002</b>
<b>C25</b>	<b>IDLER SHAFT SUPPORT ALL</b>	<b>1236 9470</b>	<b>13-86-185-002</b>
<b>C26</b>	<b>IDLER SHAFT SUPPORT FASTENERS ALL</b>	<b>1252 3243</b>	<b>13-86-183-002</b>
		<b>REQ. 3</b>	
<b>C27</b>	<b>CASE ASSY</b>		
	<b>#13-86-065-902: W/O 'SKIP SHIFT' SOLENOID PORT</b>	<b>1252 3066</b>	<b>13-86-565-002</b>
	<b>#13-86-065-902: W/ 'SKIP SHIFT' SOLENOID PORT</b>	<b>1252 3067</b>	<b>13-86-565-005</b>
<b>C27-1</b>	<b>CASE ALL</b>	<b>NSS</b>	<b>NSS</b>

**WARNER GEAR T56 6 SPEED: AXLE MOUNT  
CORVETTE: 1997-2004**

<b>C27-2</b>	<b>SHIFT RAIL BUSHING</b>			
	ALL	<b>REQ. 2</b>	<b>1252 3001</b>	<b>13-86-127-001</b>
<b>C27-3</b>	<b>DOWEL PIN</b>			
	ALL	<b>REQ. 2</b>	<b>1252 3068</b>	<b>141199</b>
<b>C28</b>	<b>MAGNET</b>			
	ALL	<b>REQ. 2</b>	<b>1238 6078</b>	<b>4915</b>
<b>C29</b>	<b>BREATHER ELBOW</b>			
	ALL		<b>1252 3294</b>	<b>13-00-072-004</b>
<b>C30</b>	<b>BREATHER TUBE ASSY</b>			
	ALL		<b>1245 5049</b>	
<b>C30-1</b>	<b>BREATHER TUBE AND VENT</b>			
	ALL			<b>13-86-572-002</b>
<b>C30-2</b>	<b>BREATHER TUBE FASTENERS</b>			
	CLIP		<b>1245 5047</b>	<b>13-00-056-010</b>
<b>C31</b>	<b>FILL PLUG</b>			
	ALL		<b>1238 7621</b>	

**WARNER GEAR T56 6 SPEED: AXLE MOUNT**  
**CORVETTE: 1997-2004**

**GROUP D: INTERNAL SHIFT LINKAGE**



<b>D1</b>	<b>1<sup>ST</sup>/2<sup>ND</sup> SHIFT FORK ASSY</b> #13-86-096-913: ALUMINUM		<b>1252 3210</b>	<b>13-86-596-013</b>
<b>D1-1</b>	<b>1<sup>ST</sup>/2<sup>ND</sup> SHIFT FORK</b> ALL		<b>NSS</b>	<b>NSS</b>
<b>D1-2</b>	<b>1<sup>ST</sup>/2<sup>ND</sup> SHIFT FORK PAD</b> BLACK NYLON	<b>REQ. 2</b>	<b>1252 3208</b>	<b>13-86-235-001</b>

## WARNER GEAR T56 6 SPEED: AXLE MOUNT CORVETTE: 1997-2004

D2	1 <sup>ST</sup> /2 <sup>ND</sup> SHIFT LUGPLATE ALL	1252 3209	13-86-190-001
D3	SELECTOR RAIL 16.38" LONG	1245 5014	13-86-100-013
D4	SELECTOR FINGER ASSY ALL	1252 3211	13-86-596-011
D4-1	SELECTOR LUG ALL	NSS	NSS
D4-2	SELECTOR FINGER ALL	NSS	NSS
D5	SELECTOR FINGER ROLLPIN 3/16 X 13/16	454512	13-32-043-004
D6	INTERLOCK BUSHING ALL	1252 3212	13-86-014-007
D7	INTERLOCK BUSHING GUIDE (BOLT) ALL	1252 3213	13-86-183-003
D8	3 <sup>RD</sup> /4 <sup>TH</sup> SHIFT FORK ASSY #CNHR 0843: IRON <i>NOTE: Replaces aluminum fork assy 13-86-596-014.</i>	8899 6653	TNEC 0843
D8-1	3 <sup>RD</sup> /4 <sup>TH</sup> SHIFT FORK ALL	NSS	NSS
D8-2	3 <sup>RD</sup> /4 <sup>TH</sup> SHIFT FORK PAD BLACK NYLON	REQ. 2 1252 3208	13-86-235-001
D9	3 <sup>RD</sup> /4 <sup>TH</sup> SHIFT LUGPLATE ALL	1252 3209	13-86-190-001
D10	5 <sup>TH</sup> /6 <sup>TH</sup> SHIFT FORK SNAPRING ALL	1254 1299	13-00-139-001
D11	5 <sup>TH</sup> /6 <sup>TH</sup> SHIFT FORK ASSY #13-86-096-903: IRON	1252 3258	13-86-596-003
D11-1	5 <sup>TH</sup> /6 <sup>TH</sup> SHIFT FORK ALL	NSS	NSS
D11-2	5 <sup>TH</sup> /6 <sup>TH</sup> SHIFT FORK PAD ALL	REQ. 2 1252 3233	13-86-235-002
D12	REVERSE SHIFT FORK SNAPRING ALL	1252 3055	13-86-139-004
D13	REVERSE SHIFT FORK ASSY #13-86-096-909: IRON	1252 3288	13-86-596-009
D15-1	REVERSE SHIFT FORK ALL	NSS	NSS
D15-2	REVERSE SHIFT FORK PAD ALL	REQ. 2 1252 3233	13-86-235-002

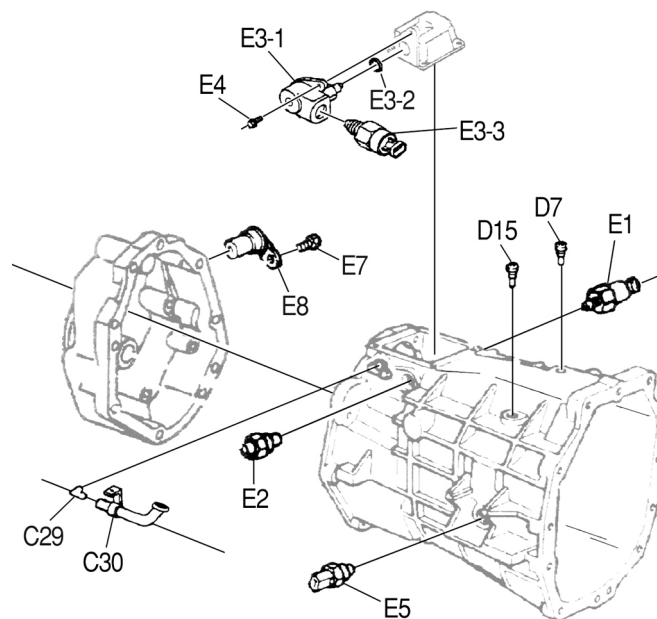
## WARNER GEAR T56 6 SPEED: AXLE MOUNT CORVETTE: 1997-2004

<b>D14</b>	<b>REVERSE SHIFT RAIL ASSY</b>		
	ALL		13-86-600-001
<b>D14-1</b>	<b>5<sup>TH</sup>/6<sup>TH</sup> SHIFT LUG ASSY</b>		
	ALL	1252 3204	13-86-598-020
	<b>D14-1A 5<sup>TH</sup>/6<sup>TH</sup> SHIFT LUG</b>		
	ALL	NSS	NSS
	<b>D14-1B 5<sup>TH</sup>/6<sup>TH</sup> SHIFT LUG PAD</b>		
	ALL	1252 3233	13-86-235-002
	<b>D14-1C 5<sup>TH</sup>/6<sup>TH</sup> SHIFT LUG BUSHING</b>		
	ALL	1252 3001	13-86-127-001
			REQ. 2
<b>D14-2</b>	<b>REVERSE SHIFT LUG</b>		
	ALL	1252 3205	13-86-098-010
<b>D14-3</b>	<b>REVERSE SHIFT LUG ROLLPIN</b>		
	3/16 X 13/16	454512	13-32-043-004
<b>D14-4</b>	<b>REVERSE SHIFT RAIL</b>		
	17.25" LONG	1252 3202	13-86-100-004
<b>D14-5</b>	<b>REVERSE SHIFT STOP</b>		
	ALL	1252 3203	13-86-103-003
<b>D14-6</b>	<b>REVERSE SHIFT STOP ROLLPIN</b>		
	3/16 X 13/16	454512	13-32-043-004
<b>D15</b>	<b>5<sup>TH</sup>/6<sup>TH</sup> SHIFT LUG GUIDE (BOLT)</b>		
	ALL	1252 3213	13-86-183-003
<b>D18</b>	<b>DETENT LEVER</b>		
	ALL	1245 5033	13-86-098-024
<b>D19</b>	<b>DETENT LEVER ROLLPIN</b>		
	3/16 X 13/16	454512	13-32-043-004
<b>D20</b>	<b>VERTICAL DETENT SPRING</b>		
	ALL	1252 3242	13-86-156-004
<b>D21</b>	<b>VERTICAL DETENT BALL</b>		
	ALL	7826284	13-00-109-003
<b>D22</b>	<b>SHIFT PATTERN GUIDE</b>		
	ALL	1252 3236	13-86-014-008
<b>D23</b>	<b>SHIFT PATTERN GUIDE FASTENERS</b>		
	ALL	1252 3243	13-86-183-002
			REQ. 2
<b>D24</b>	<b>SHIFT PATTERN ACCESS COVER</b>		
	ALL	1245 5046	13-86-039-002
<b>D25</b>	<b>SHIFT PATTERN ACCESS COVER FASTENERS</b>		
	M8 X 1.25	1245 5048	13-00-183-034
			REQ. 4
<b>D26</b>	<b>NEUTRAL BIAS CAM</b>		
	ALL	1245 5029	13-86-099-001
	<i>WHAT IS IT FOR? The Neutral Bias Cam subassembly centers the Shift Lever when the gearbox is in neutral.</i>		
<b>D27</b>	<b>NEUTRAL BIAS CAM PIN</b>		
	ALL	1245 5030	13-00-043-016

**WARNER GEAR T56 6 SPEED: AXLE MOUNT**  
**CORVETTE: 1997-2004**

<b>D28</b>	<b>NEUTRAL BIAS CAM SPRING</b> ALL	<b>8899 6654</b>	<b>13-86-156-014</b>
<b>D29</b>	<b>NEUTRAL BIAS CAM FASTENERS</b> WASHER BOLT	<b>1245 5032</b> <b>1554 6805</b>	<b>13-52-193-008</b> <b>13-51-183-001</b>

**GROUP E: EXTERNAL ELECTROMECHANICALS**



<b>E1</b>	<b>SKIPSHIFT SOLENOID ASSY</b> WHITE CONNECTOR	<b>1252 3292</b>	<b>13-86-640-007</b>
	<i>WHAT IS IT FOR? The Skipshift hardware shunts the Shift Lever directly from 1<sup>st</sup> to 4<sup>th</sup> under ideal conditions.</i>		
<b>E1-1</b>	<b>SKIPSHIFT SOLENOID</b> ALL	<b>NSS</b>	<b>NSS</b>
<b>E1-2</b>	<b>SKIPSHIFT SOLENOID O-RING</b> ALL	<b>1252 3293</b>	<b>13-86-141-117</b>
<b>E2</b>	<b>HORIZONTAL DETENT ASSY</b> ALL	<b>1245 5056</b>	<b>13-86-608-006</b>
<b>E3</b>	<b>REVERSE LOCKOUT ASSY</b> ALL	<b>1252 3299</b>	<b>13-86-640-002</b>
<b>E3-1</b>	<b>REVERSE LOCKOUT ASSY</b> ALL	<b>NSS</b>	<b>NSS</b>
<b>E3-2</b>	<b>REVERSE LOCKOUT HOUSING O-RING</b> ALL	<b>1252 3301</b>	<b>13-00-141-120</b>
<b>E3-3</b>	<b>REVERSE LOCKOUT SOLENOID ASSY</b> BLACK CONNECTOR	<b>1252 3300</b>	<b>13-86-640-008</b>

**WARNER GEAR T56 6 SPEED: AXLE MOUNT  
CORVETTE: 1997-2004**

	<b>E2-3A REVERSE LOCKOUT SOLENOID</b>		
	ALL	NSS	NSS
	<b>E2-3B REVERSE LOCKOUT SOLENOID O-RING</b>		
	ALL	1252 3293	13-00-141-117
<b>E4</b>	<b>REVERSE LOCKOUT FASTENERS</b>		
	ALL	1252 3302	13-00-183-009
<b>E5</b>	<b>REVERSE INDICATOR SWITCH</b>		
	ALL	1406 9600	10-00-140-013
<b>E6</b>	<b>OIL TEMPERATURE SENSOR</b>		
	ALL	1245 8118	13-00-140-013
<b>E7</b>	<b>SPEEDOMETER SENSOR ASSY</b>		
	<b>AC-DELCO #213-344</b>	1236 9458	1236 9458
	<i>NOTE: Not supplied with gearbox.</i>		
<b>E8</b>	<b>SPEEDOMETER SENSOR RETAINING SCREW</b>		
	ALL	1236 9459	1236 9459
	<i>NOTE: Not supplied with gearbox.</i>		
<b>(2-24-05)</b>			