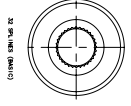
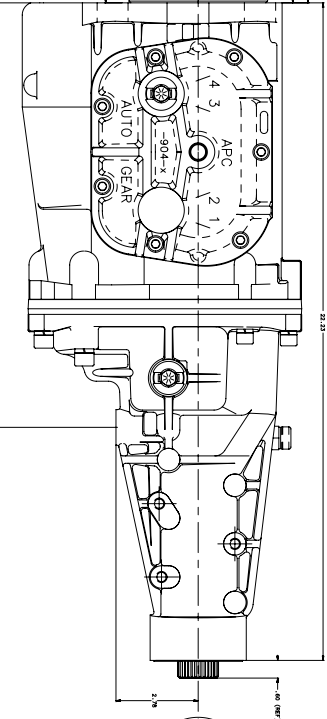
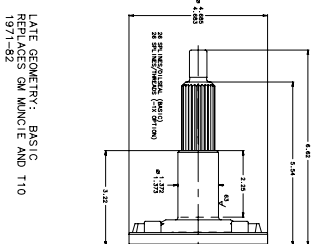
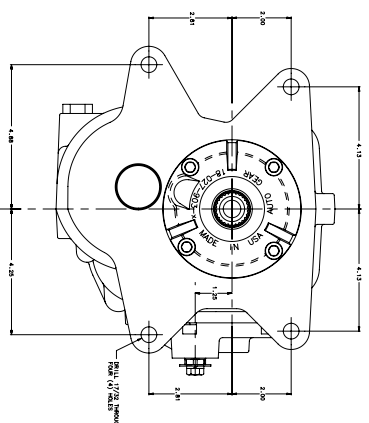
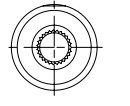
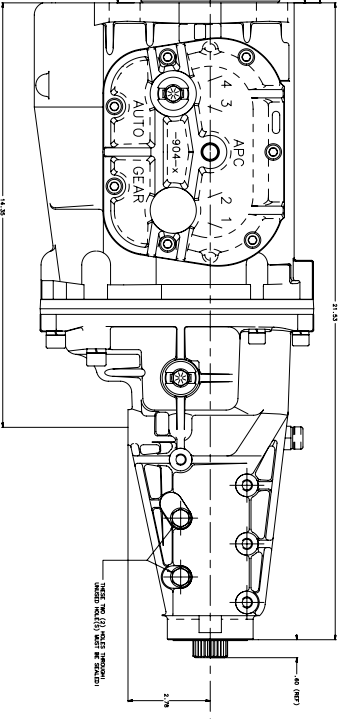
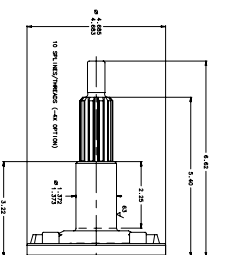
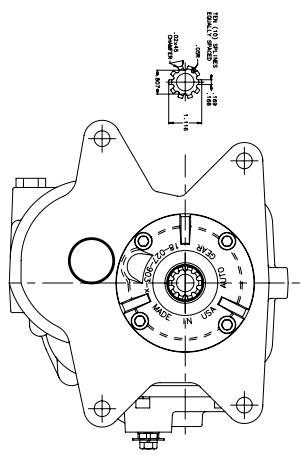


SYRACUSE 2 GO



LATE GEOMETRY: BASIC
 REPLACES GM MUNCIE AND T10
 1971-82



EARLY GEOMETRY: -6X OPTION
 REPLACES GM SMOGWAY
 AND 1965-70 MUNCIE AND T10

GEAR RATIOS:

DIFFERENTIAL	HIGH GEAR	LOW GEAR
400	1.000	1.333
500	1.000	1.429
520	1.000	1.493
530	1.000	1.524
550	1.000	1.588
570	1.000	1.667
600	1.000	1.800
630	1.000	1.905
650	1.000	2.000
700	1.000	2.333
750	1.000	3.000
800	1.000	4.000
850	1.000	5.000
900	1.000	6.000
950	1.000	7.000
1000	1.000	8.000
1050	1.000	9.000
1100	1.000	10.000

AJG AUTO CENTER EQUIPMENT
 1111 S. W. 11th St.
 Miami, Florida 33136
 (305) 251-2323

REPLACES GM SMOGWAY AND 1965-70 MUNCIE AND T10

32-000-xxx-B