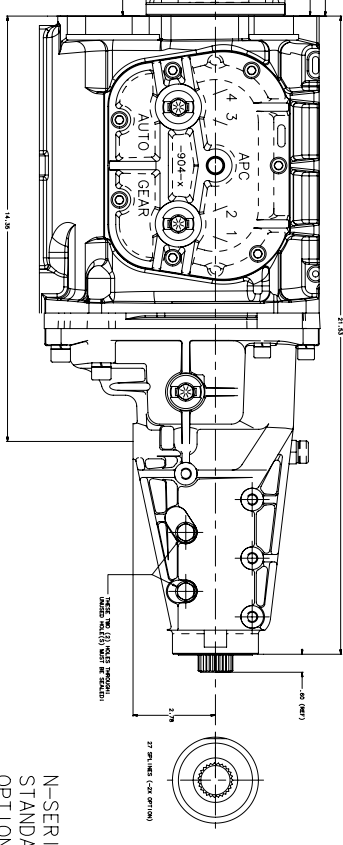
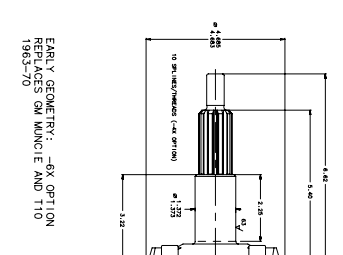
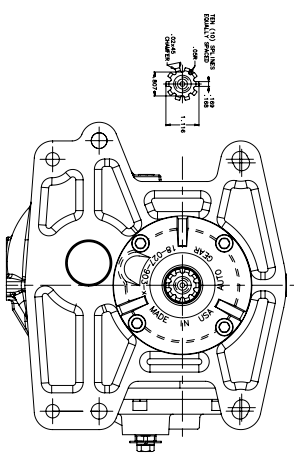
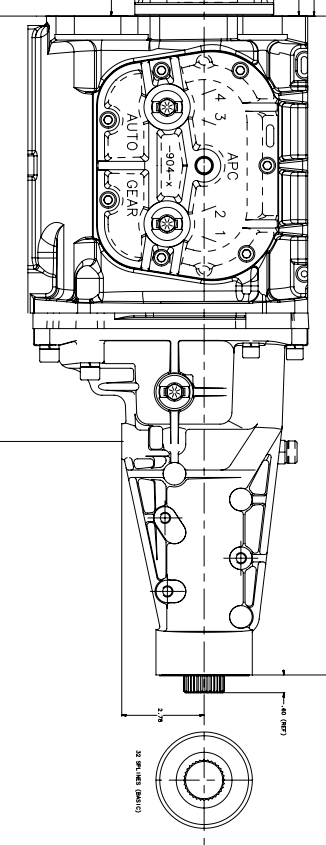
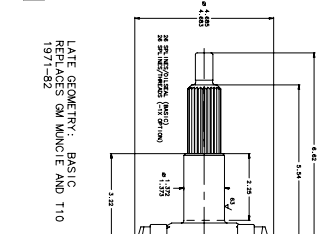
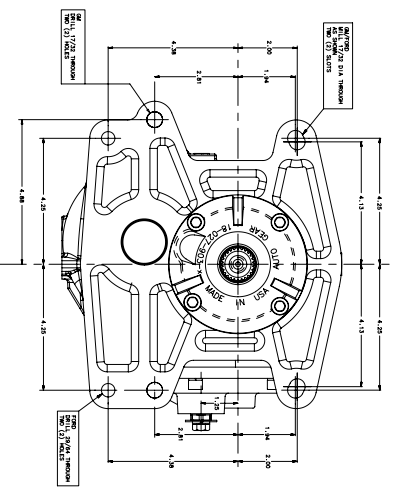
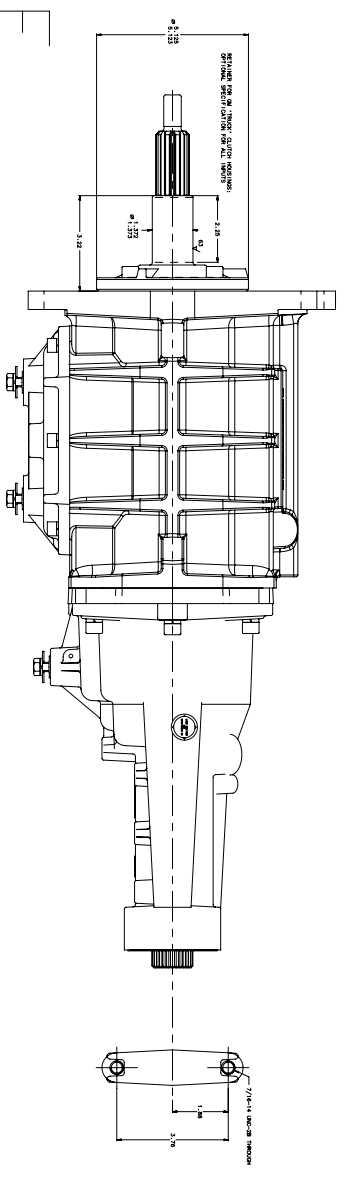


# SYRACUSE



LATE GEOMETRY: BASIC  
REPLACES GM MUNCIE AND T10  
1971-82

EARLY GEOMETRY: -6X OPTION  
REPLACES GM MUNCIE AND T10  
1963-70

N-SERIES CASE  
STANDARD ON 22:23  
OPTIONAL ON 20:21

<p>APC AIR CHRYSLER DIVISION CHRYSLER CORPORATION 4001 W. MARKET STREET AMHERST, NY 14226 716-291-6600</p>		<p>29-000-xxxx-A</p>
--	--	----------------------